



iota international

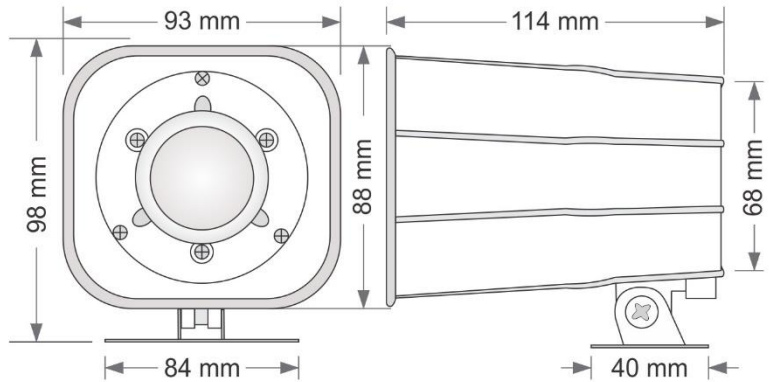


The Leading Manufacturer & Exporter of Electronic Products & Accessories Since 1996

B-47, East Uttam Nagar, New Delhi-110059 (INDIA) Contact no. 011-28566590 9810021697 sales@iota.in

Electronic Siren, Emergency Panic Switches, Panic Alarm, LED Light, SMPS & Accessories

SPECIFICATION OF ELECTRONIC SIREN CAP123



All dimension are in mm tolerance ± 0.2 mm

- Product : Electronic Siren
- Products Code : CAP123DX
- Tone : Standard Siren Tone
- Operating Voltage : 10 ~ 14 Volt DC (Typically 12Volt DC)
- Current : 450mA (at 12V DC)
- Sound level : 115dB ± 02 dB at 1 Meter Distance (at 12Volt DC)
- Continuous Operation : Maximum for 15 Minutes at normal room temperature
- Operating Temperature : 0° C to +60° C
- Material of Housing : ABS 300
- Color : Red, Black & White
- Dimension : 100mm X 102mm X 68mm
- Weight : 410 gm (approximately with packing)
- Mounting Bracket : Material is M.S. (Adjustable mounting bracket)
- Warranty : One year against any manufacturing defect

Important Notes:

- Tones** : We can provide all type international and Indian standard Siren/Alarm tones along with customized tones.
- Voltage** : This product is also available in 6V / 9V / 12V/ 18V / 24V DC & 220V AC

We also welcome Customer's Design & Specifications, For more Product Log on www.iotasiren.com

