



iota international

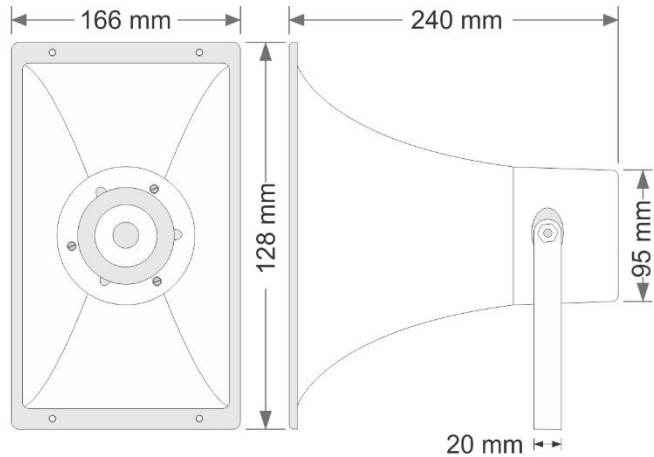


The Leading Manufacturer & Exporter of Electronic Products & Accessories Since 1996

B-47, East Uttam Nagar, New Delhi-110059 (INDIA) Contact no. 011-28566590 9810021697 sales@iota.in

Electronic Siren, Emergency Panic Switches, Panic Alarm, LED Light, SMPS & Accessories

SPECIFICATION OF ELECTRONIC SIREN GIGA128



All dimension are in mm tolerance ± 0.2 mm

- Product : Electronic Siren
- Product Code : GIGA128
- Tone : Standard Siren Tone / VIP Tone
- Operating Voltage : 10~14Volt DC (Typically 12Volt DC)
- Current : 1.8Amp (at 12V DC)
- Sound level : 120dB at 1 Meter Distance
- Distance Covered : Min. 800Mtrs (Mounted at 10Mtrs Height)
- Operating Temperature : 0° C to +80° C
- Continuous Operation : Maximum for 20 Minutes.
- Material of Housing : ABS 300
- Color : Grey
- Dimension : 166mm X 128mm X 240mm
- Weight : 2.3 kg (Approx. with packing)
- Mounting Bracket : Material is M.S. (Adjustable mounting bracket)
- Protection : Only Water Spray proof
- Warranty : One year against any manufacturing defect

Important Notes:

Tones : We can provide all type international and Indian standard Siren/Alarm tones along with customized tones.

Voltage : This product is also available in 6V / 9V / 12V/ 18V / 24V DC & 220V AC

We also welcome Customer's Design & Specifications, For more Product Log on www.iotasiren.com

