



# iota international

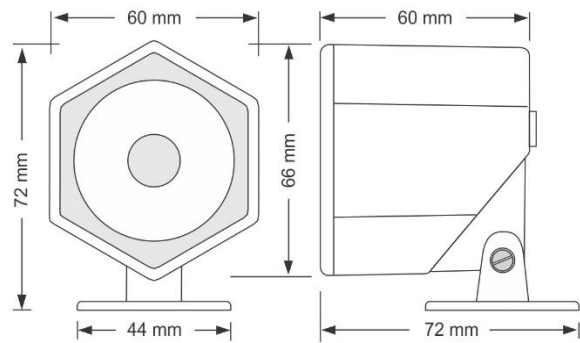


The Leading Manufacturer & Exporter of Electronic Products & Accessories Since 1996

B-47, East Uttam Nagar, New Delhi-110059 (INDIA) Contact no. 011-28566590 9810021697 sales@iota.in

Electronic Siren, Emergency Panic Switches, Panic Alarm, LED Light, SMPS & Accessories

## SPECIFICATION OF ELECTRONIC SIREN HEX118



All dimension are in mm tolerance  $\pm 0.2\text{mm}$

- Product : Electronic Siren
- Model Number : HEX118 (Micro Controller Based)
- Tone : Beep Tone (1Hz)
- Operating Voltage : 10 ~ 15 Volt DC (Typically 12Volt DC)
- Current : 60mA (at 12Volt DC)
- Sound level : 112dB at 1 Meter Distance (at 12Volt DC)
- Operating Temperature : 0° C to +60° C
- Continuous Operation : Maximum for 30 min at normal room temperature
- Material of Housing : ABS 300
- Color : Black
- Dimension : 60mm x 60mm x 72mm
- Weight : 110 gm (Approx. with packing)
- Protection : IP65
- Warranty : One years against any manufacturing defects

### Important Notes:

**Tones** : We can provide all type international and Indian standard Siren/Alarm tones along with customized tones.

**Voltage** : This product is also available in 6V / 9V / 12V/ 18V / 24V DC & 220V AC

We also welcome Customer's Design & Specifications, For more Product Log on [www.iotasiren.com](http://www.iotasiren.com)

