



# iota international

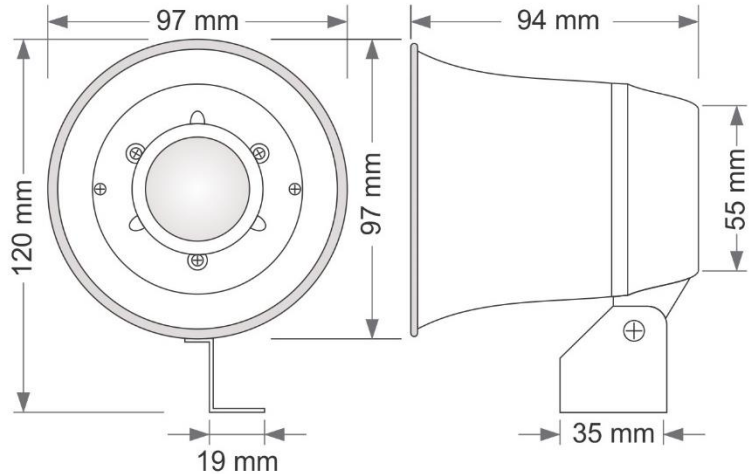


The Leading Manufacturer & Exporter of Electronic Products & Accessories Since 1996

B-47, East Uttam Nagar, New Delhi-110059 (INDIA) Contact no. 011-28566590 9810021697 sales@iota.in

Electronic Siren, Emergency Panic Switches, Panic Alarm, LED Light, SMPS & Accessories

## SPECIFICATION OF ELECTRONIC SIREN SLC122



All dimension are in mm tolerance  $\pm 0.2$ mm

- Product : Electronic Siren
- Model Number : SLC 122
- Tone : Standard Siren Tone
- Operating Voltage : 10.5 ~ 13.5Volt DC Typical 12Volt DC
- Current : 450mA (at 12Volt DC)
- Sound level : 113dB at 1 Meter Distance (at 12Volt DC)
- Operating Temperature : 0° C to +50° C
- Continuous Operation : Maximum for 10 Minutes at normal room Temperature.
- Material of Housing : ABS
- Color : Black
- Dimension : 97mm X 94mm X 55mm
- Weight : 400 gm (Approx. with packing)
- Mounting Bracket : Material is M.S. (Adjustable mounting bracket)
- Warranty : One year against any manufacturing defect

### Important Notes:

**Tones** : We can provide all type international and Indian standard Siren/Alarm tones along with customized tones.

**Voltage** : This product is also available in 6V / 9V / 12V/ 18V / 24V DC & 220V AC

We also welcome Customer's Design & Specifications, For more Product Log on [www.iotasiren.com](http://www.iotasiren.com)

