



# iota international



## The Leading Manufacturer & Exporter of Electronic Products & Accessories Since 1996

### Panic Switches / Button, Panic Alarm, Electronic Siren, LED Light, SMPS & Accessories

## Emergency Panic Switch 'NC' Compatible with AIS140 VTS

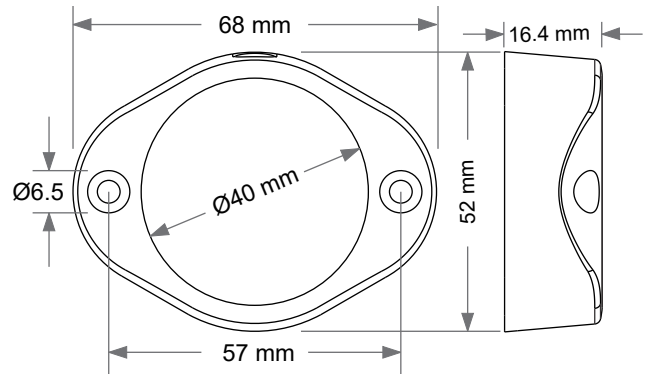
Model No. **iota702**



(Single LED)



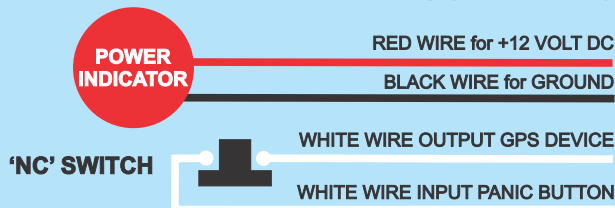
(Double LED)



Sealed Contact Momentary Push Button With LED Light

All dimension are in mm tolerance  $\pm 0.2$ mm

### SCHEMATIC & WIRING DIAGRAM

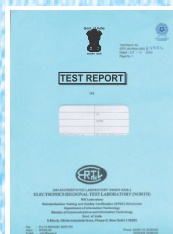


Special Automotive Cable With 4 Numbers 0.5 Sq mm Wire FLY-B

Standard Wire Length Is 1 Meter, We Shall Provide Wire / Pigtails As Per OEM's & ODM's Requirement

### SPECIFICATIONS

Product	Emergency Panic Switch iota702 'NC'
Color	Black / Grey / Yellow
Material	ABS300 Engineering Plastic
Store Temperature	-20°C ~ 85°C
Operating Temperature	0°C ~ 65°C
Operating Voltage	10~30 Voltage DC
Power Consumption	1mAmp @ 12Volt DC
Operating Type	Momentary 'NC' Switch
Power Indicator	Stand By- power Indicator - LED



[www.iotasiren.com](http://www.iotasiren.com)

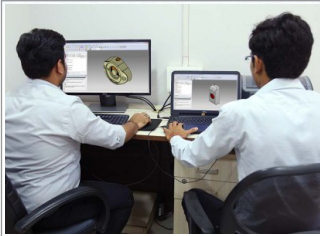


# iota international



## The Leading Manufacturer & Exporter of Electronic Products & Accessories Since 1996

An ISO 9001:2015 Certified Manufacturer & Exporter of Panic Switch, SOS Button, Electronic Siren, LED Lights, SMPS, IP67 enclosures & Accessories since 1996, the first step by an enterprising engineer, Mr. Mahesh Mahawer towards becoming pioneer in Security System Industries & Automotive Industries. Today iota is a quality symbol in this industry and everyone at iota work hard to maintain this status.



Since its inception IOTA has consistently improved & established competent team of qualified and hard working engineers to ensure strong foundations. It is the reason why the company has invested in a complete in-house tool room, injection molding, Sheet metal fabrication, CNC, Electronic Manufacturing, Juki SMT Pick & Place, Ultrasonic Plastic Welding, R&D.



IOTA is satisfying many established industries OEM's, ODM's. iota works hard with technical support, Quality Products and services to maintain its reputation.



We are following ARAI norms compliance IP66, IP67, IP68, IK08, IK10 with wide range of operating temperature from -20°C to +85°C.



IOTA's specialization is the key to complete solution in Electronic Siren, Panic Switches, SOS Button.



All products have latest & best technology with optimized static, dynamic & mechanical structure.

***"Quality is the essence. Chase Quality, quantity will chase you"***

iota is focused on delivering excellence in performance, flexibility and technology that exceeds customer expectations for quality, Technical Support and service.

iota is committed to the development and continued improvement of our Quality Management System.

### Some of our Prestigious Clients



Philips Electronics India Ltd.



Godrej & Boycs Mfg. Co. Ltd.



Force Motors Limited



Tata Motors Limited



Volty Simply Track Pvt. Ltd.



Eureka Forbes Limited



Minda iConnect Pvt. Ltd.



CE Info Systems Pvt. Ltd



Roadpoint Limited



Accord Software & Systems Pvt. Ltd.



Kallatra Technologies Pvt. Ltd.



Chubb Alba Control Systems Ltd.

**Sanjay Khorwal**  
9205716971  
oemsales@iota.in

**iota international**  
B-47, East Uttam Nagar, New Delhi -110059 (INDIA)  
[www.iotasiren.com](http://www.iotasiren.com)

**Mahesh Mahawer**  
9810021697  
director@iota.in