



# iota international

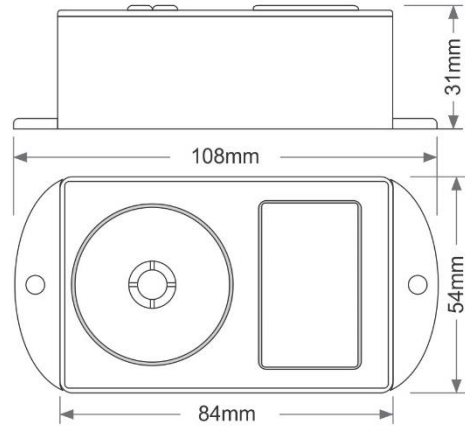


The Leading Manufacturer & Exporter of Electronic Products & Accessories Since 1996

B-47, East Uttam Nagar, New Delhi-110059 (INDIA) Contact no. 011-28566590 9810021697 sales@iota.in

Electronic Siren, Emergency Panic Switches, Panic Alarm, LED Light, SMPS & Accessories

## SPECIFICATION OF SIREN WITH LED STROBE LIGHT AVL135



All dimension are in mm tolerance ±0.2mm

- Product : Electronic Siren with LED Strobe Light
- Model Number : AVL135 (Micro Controller Based)
- Tone : Siren Tone / Beep Tone
- Operating Voltage : 10 ~ 14 Volt DC (Typically 12Volt DC)
- Current : 50mA (at 12Volt DC)
- Sound level : 100 dB at 1 Meter Distance (at 12Volt DC)
- Continuous Operation : 60 minutes
- Operating Temperature : 0° C to +60° C
- Material of Housing : ABS 300
- Color : Black
- Dimension : 108mm x 54mm x 31mm x 84mm
- Weight : 120 gm (Approx. with packing)
- Warranty : One year against any manufacturing defect

### Important Notes:

**Tones** : We can provide all type international and Indian standard Siren/Alarm tones along with customized tones.

**Voltage** : This product is also available in 6V / 9V / 12V/ 18V / 24V DC & 220V AC

We also welcome Customer's Design & Specifications, For more Product Log on [www.iotasiren.com](http://www.iotasiren.com)

