



iota international

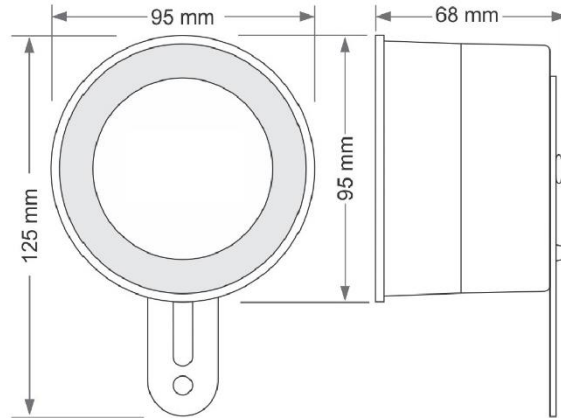


The Leading Manufacturer & Exporter of Electronic Products & Accessories Since 1996

B-47, East Uttam Nagar, New Delhi-110059 (INDIA) Contact no. 011-28566590 9810021697 sales@iota.in

Electronic Siren, Emergency Panic Switches, Panic Alarm, LED Light, SMPS & Accessories

SPECIFICATION OF SIREN WITH LED STROBE LIGHT AWL136



All dimension are in mm tolerance ± 0.2 mm

- Product : Electronic Siren with LED Strobe Light
- Model Number : AWL136
- Tone : Standard Siren Tone
- Operating Voltage : 10 ~ 14 Volt DC (Typical 12Volt DC)
- Current : 850mA (at 12Volt DC)
- Sound level : 115dB at 1 Meter Distance (at 12Volt DC)
- Operating Temperature : 0° C to +60° C
- Material of Housing : ABS 300
- Color : Black / Red
- Size : 95mm x 68mm x 125mm
- Weight : 485 gm (with packing)
- Mounting Bracket : MS Sheet
- Warranty : one years against any manufacturing defects

Important Notes:

Tones : We can provide all type international and Indian standard Siren/Alarm tones along with customized tones.

Voltage : This product is also available in 6V / 9V / 12V/ 18V / 24V DC & 220V AC

We also welcome Customer's Design & Specifications, For more Product Log on www.iotasiren.com

