



iota international

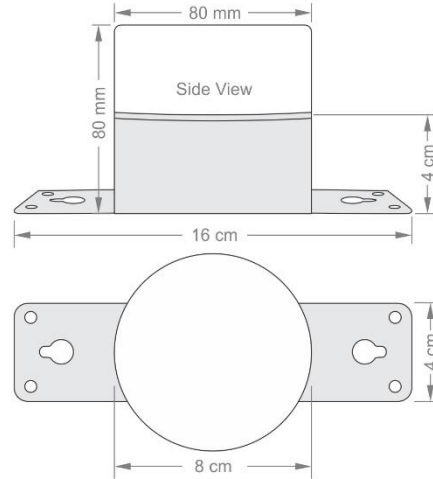


The Leading Manufacturer & Exporter of Electronic Products & Accessories Since 1996

B-47, East Uttam Nagar, New Delhi-110059 (INDIA) Contact no. 011-28566590 9810021697 sales@iota.in

Electronic Siren, Emergency Panic Switches, Panic Alarm, LED Light, SMPS & Accessories

SPECIFICATION OF LED STROBE LIGHT – FLR158



All dimension are in mm tolerance $\pm 0.2\text{mm}$

- Product : LED Strobe Light
- Model Number : FLR158
- Operating Voltage : 12Volt & 24Volt DC
- Current : 150mAmp (at 12Volt DC)
- Light Intensity : 700Lux @300mm
- Flashing Rate : 75 Flash Per Minutes
- Material of Glass : Acrylic
- Color : Red
- MOQ : 50 Units
- Warranty : One year against any manufacturing defect

Important Notes:

Tones : We can provide all type international and Indian standard Siren/Alarm tones along with customized tones.

Voltage : This product is also available in 6V / 9V / 12V/ 18V / 24V DC & 220V AC

We also welcome Customer's Design & Specifications, For more Product Log on www.iotasiren.com

