



iota international

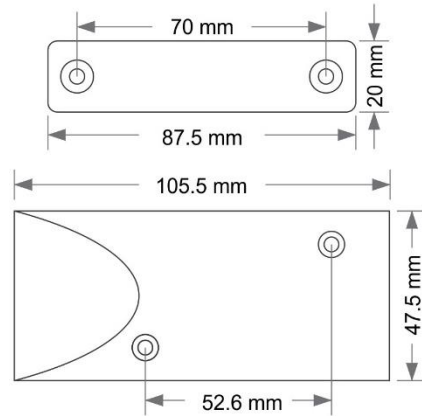


The Leading Manufacturer & Exporter of Electronic Products & Accessories Since 1996

B-47, East Uttam Nagar, New Delhi-110059 (INDIA) Contact no. 011-28566590 9810021697 sales@iota.in

Electronic Siren, Emergency Panic Switches, Panic Alarm, LED Light, SMPS & Accessories

SPECIFICATION OF SHUTTER SENSOR IOTA411



All dimension are in mm tolerance ± 0.2 mm

- Product : Shutter Sensor
- Model Number : iota411
- Heavy duty roller shutter contact
- Aluminum die-cast housing
- Magnet mounted adjustable I-bracket
- Wide operating gap (70mm)
- 24" long PVC cable

Important Notes:

Tones : We can provide all type international and Indian standard Siren/Alarm tones along with customized tones.

Voltage : This product is also available in 6V / 9V / 12V/ 18V / 24V DC & 220V AC

We also welcome Customer's Design & Specifications, For more Product Log on www.iotasiren.com

